

SAFETY RELIEF VALVE SV805 / 805A

0.5 up to 45.0 bar

NEW – with smart features!

See page 3



SV805



SV805-ES



SV805A



SV805A-ES

Spring loaded, direct acting safety relief valve for venting excess pressure from receivers, pipelines and other equipment.

Benefits

- according to PED 2014/68/EU, category IV, Module B and D
- individual opening pressure
- TÜV-certification of pressure setting
- available in brass or stainless steel (ES)
- sealing material to suit gas or customer request
- compact size for easy, problem free installation
- range of inlet connections
- with / without condensation outlet
- protective dust cap
- SV805A (manual ventilation), for checking of safety function
- adapter for connection to ventilation pipe (optional)

Approvals

Manufactured and certified according to EN ISO 4126-1
Company certified according to ISO 9001
and PED 2014/68/EU Module H

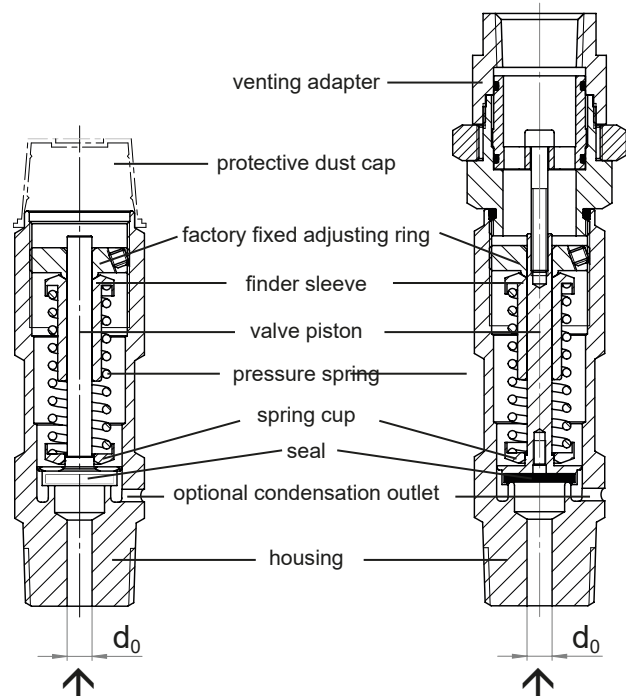
CE-marked according to:
- PED 2014/68/EU

Designed for Oxygen Service in accordance with EIGA 13/20 and CGA G-4.4: Oxygen Pipeline and Piping Systems
Cleaned for Oxygen Service in accordance with EIGA 33/18 and CGA G-4.1: Cleaning of Equipment for Oxygen Service

Other models, options and accessories available on request.

Please identify the individual gases, temperature, opening pressure, inlet connection and with or without condensation outlet at the time of enquiring!

	SV805	SV805A
Manual ventilation	–	✓
Opening pressure	from 0.5 up to 45.0 bar	
Gases	all technical gases	
Material	housing and metal turned parts made of brass or stainless steel, pressure spring made of stainless steel, valve seal considering to the gas	
Width across flats	27 mm	
Weight	approx. 260 g	approx. 660 g
Marking	CE0045 SV*d ₀ *D/G*a _w *p	
Drill hole (d₀)	6.0 mm at 0.5 up to 25.0 bar 6.5 mm at > 25.0 up to 45.0 bar	
Temperature range	-60 °C/-76 °F up to approx. +150 °C/+302 °F (in accordance to gas and valve sealing)	
Adapter	for connection to ventilation pipe at the outlet	–



SAFETY RELIEF VALVE SV805 / 805A

0.5 up to 45.0 bar



Flow capacity for air at 20 °C / 68 °F (valid only for atmospheric back pressure)

Opening pressure [barg]	0.5	1	2	3	4	5	6	7	8	9	10	11
Standard volume flow [Nm³/h]	13	18	30	38	67	73	85	97	109	122	143	156
Opening pressure [barg]	12	13	14	15	16	17	18	19	20	21	22	23
Standard volume flow [Nm³/h]	169	182	195	208	221	235	228	240	252	265	277	289
Opening pressure [barg]	24	25	26	27	28	29	30	31	32	33	34	35
Standard volume flow [Nm³/h]	301	348	362	375	389	402	416	429	443	456	469	483
Opening pressure [barg]	36	37	38	39	40	41	42	43	44	45		
Standard volume flow [Nm³/h]	496	510	523	537	550	564	577	590	604	617		

Version	Burst pressure of housing	Overall length [mm]		Inlet male thread (M)	Outlet female thread (F)	
		SV805	SV805A		SV805	SV805A
Brass	400 bar	90	137	G 1/4; 1/4" NPT G 3/8; 3/8" NPT M16 x 1.5; M18 x 1.5	M24 x 1	1/2" NPT
		95	142	G 1/2; 1/2" NPT G 3/4; 3/4" NPT M20 x 1.5		
Stainless steel (ES)	600 bar	96.5	143.5	G 1/4; 1/4" NPT; 1/4" VCR G 3/8; 3/8" NPT M16 x 1.5; M18 x 1.5		
		101.5	148.5	G 1/2; 1/2" NPT; 1/2" VCR G 3/4; 3/4" NPT M20 x 1.5		

Adapter (for SV805 optional) for connection to ventilation pipe at the outlet

Version	Adapter with O-ring seal	Order no.
Brass	M24 x 1 M - 1/2" NPT F	801413600K
	M24 x 1 M - 3/4" NPT F	802124900K
	M24 x 1 M - G 1/2 M with cone	802069800K
Galvanised steel	M24 x 1 M - 1/2" NPT F	801413703K
Stainless steel (ES)	M24 x 1 M - 1/2" NPT F	801727800K

SAFETY RELIEF VALVE SV805 with smart features



SV805 smart



SV805-ES smart

Top quality valves combined with high-tech sensors and electronic components – that’s the smart features from WITT.

The protected system must not exceed category III according per PED 2014/68/EU.

	SV805 smart
Opening pressure	from 0.5 up to 45.0 bar
Gases	Non-flammable gases including O ₂ Flammable gases outside Ex Zone
Wetted materials	housing and metal turned parts made of brass or stainless steel, pressure spring made of stainless steel, valve seal material depending on gas
Width across flats	27 mm
Weight	approx. 260 g
Marking	CE0045
Drill hole (d ₀)	6.0 mm at 0.5 up to 25.0 bar 6.5 mm at > 25.0 up to 45.0 bar
Temperature range	-30 °C/-22 °F up to +60 °C/+140 °F (in accordance to gas and valve sealing)
Power supply	24 V DC
Protection class	IP 54
Parameters	open / closed
Interface	M8, 4-pin plug
Digital output	NPN / PNP open Collector
Adapter	for connection to ventilation pipe at the outlet

Smart Features of safety relief valves

- optical display of status „open“ or „closed“ via a red/ green diode directly at the valve
- digital signal via a NPN / PNP open collector signal, for transmission to a control system

